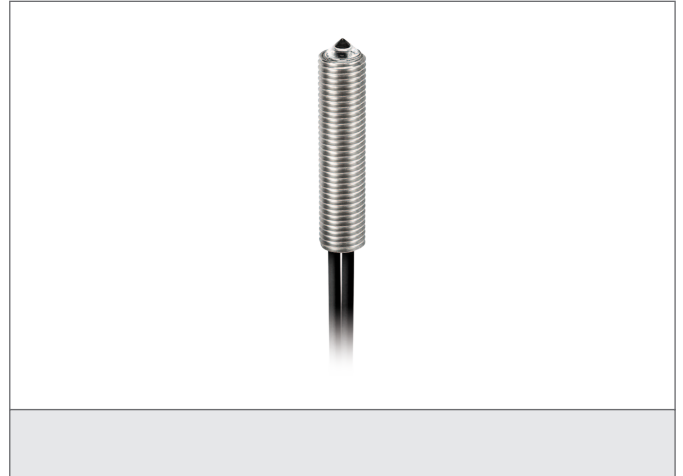


WRBT 2000 K-F

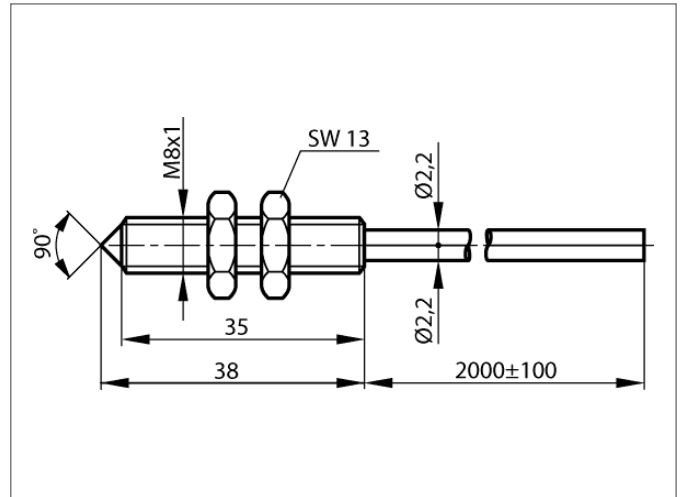
Plastic fiber optic

- Contact liquid detection, with the exception of white milky liquids
- Scratch-resistant glass prism
- Simple cleaning
- Leak-proof, fully potted optical parts
- Stainless steel casing



Safety instructions

The Instruments are not to be used for safety applications, in particular applications in which safety of persons depends on proper operation of the instruments.
These instruments shall exclusively be used by qualified personnel.



TECHNICAL INFORMATION (typ.)

Operating principle	Diffuse reflective sensor
Size	M8 x 1 (thread)
Design	screw
Length	2.000 mm
Light outlet	axial
Single fibre-optics	Ø 2,2 mm
Bending radius	> 25 mm
Temperature resistance	-25 ... + 70 °C
Protection class	IP 68
For	Amplifier for plastic fiber optics
Material	stainless steel (Sensor probe) glass (Prism) polymethyl methacrylate (Fibre) PE (Cladding)